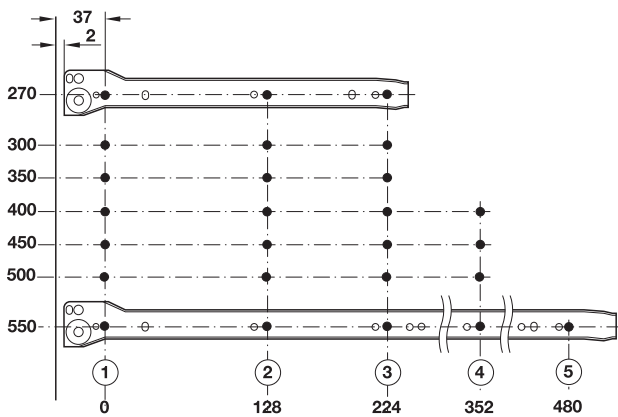


Drawer side runner

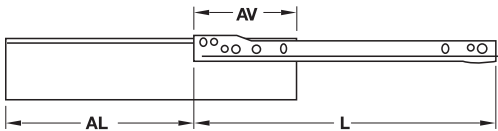
Single side extension

- Area of application: For drawers and pull-outs
- Load bearing capacity: 25 kg/pair
- Material: Steel
- Finish: Plastic coated
- Version: With roller runners
- Type of pull-out: Single extension with self closing mechanism
- Adjustment facility: Front panel 2-dimensionally via eccentric, tilting angle of front panel via rail holder for side rail
- Installation: For screw fixing to side panel into 32 mm series drilled holes, front panel: For screw fixing

Drilling pattern



Note



Base width = internal cabinet width – 31^{+0.5} mm

Base length = nominal length – 2 mm – rear panel thickness

AL = extension length

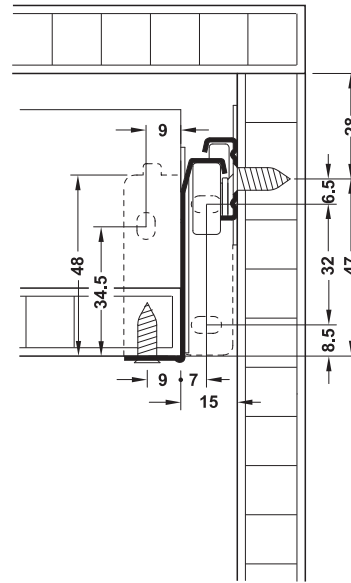
L = nominal length

AV = extension loss

→ Height 54 mm



Installation



Tolerance compensation ±1 mm

Supplied with

- 1 Pair of drawer sides
- 1 Pair of cabinet rails
- 1 Set of front fixing brackets

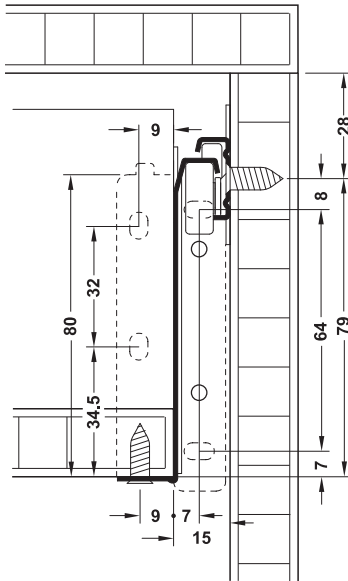
Nominal length L mm	Extension length AL mm	Extension loss AV mm	White, RAL 9010
270	204	66	555.93.927
300	234	66	555.93.930
350	284	66	555.93.935
400	334	66	555.93.940
450	374	76	555.93.945
500	417	83	555.93.950
550	460	90	555.93.955

Packing: 10 pairs

→ Height 86 mm



Installation



Tolerance compensation ± 1 mm

Supplied with

- 1 Pair of drawer sides
- 1 Pair of cabinet rails
- 1 Set of front fixing brackets

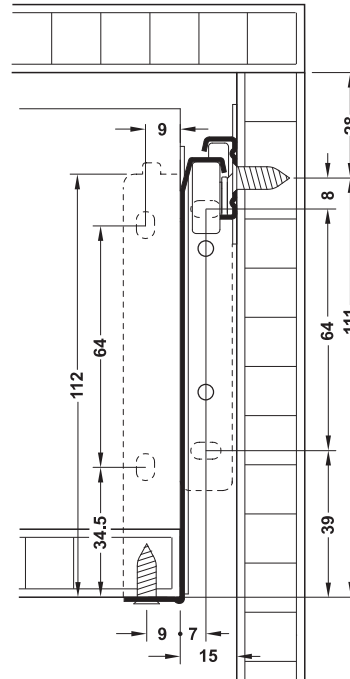
Nominal length L mm	Extension length AL mm	Extension loss AV mm	White, RAL 9010
270	186	84	555.94.927
300	216	84	555.94.930
350	266	84	555.94.935
400	316	84	555.94.940
450	356	94	555.94.945
500	399	101	555.94.950
550	442	108	555.94.955
600	482	118	555.94.960

Packing: 10 pairs

→ Height 118 mm



Installation



Tolerance compensation ± 1 mm

Supplied with

- 1 Pair of drawer sides
- 1 Pair of cabinet rails
- 1 Set of front fixing brackets

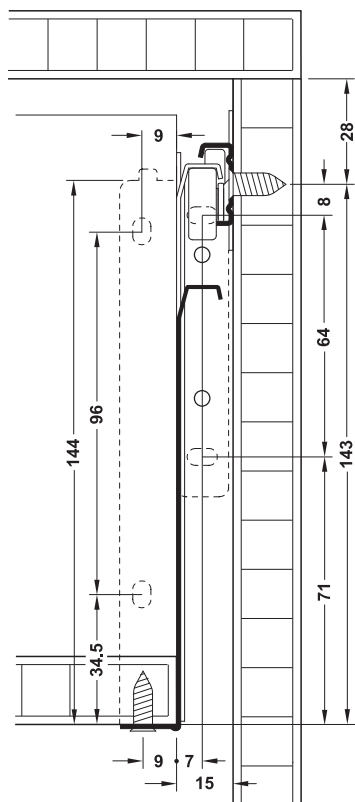
Nominal length L mm	Extension length AL mm	Extension loss AV mm	White, RAL 9010
270	204	66	555.95.927
300	234	66	555.95.930
350	284	66	555.95.935
400	334	66	555.95.940
450	374	76	555.95.945
500	417	83	555.95.950
550	460	90	555.95.955

Packing: 10 pairs

→ Height 150 mm



Installation



Tolerance compensation ± 1 mm

Supplied with

- 1 Pair of drawer sides
- 1 Pair of cabinet rails
- 1 Set of front fixing brackets

Nominal length L mm	Extension length AL mm	Extension loss AV mm	White, RAL 9010
White, RAL 9010, for screw fixing			
270	204	66	555.96.927
300	234	66	555.96.930
350	284	66	555.96.935
400	334	66	555.96.940
450	374	76	555.96.945
500	417	83	555.96.950
550	460	90	555.96.955

Packing: 10 pairs

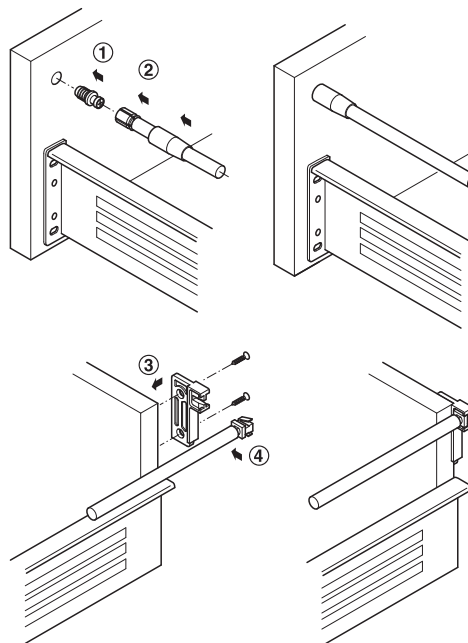
Side rail set

For single-walled drawer side runner system



- Material: Rail: Steel, rear panel fitting: Plastic
- Finish: Rail: Plastic coated
- Installation: Rail: For plug fitting, front fixing with spreading sleeves, rear panel fitting: For screw fixing

Installation



- 1 Knock-in front fixing brackets
- 2 Clip rail into front fixing bracket
- 3 Screw on rear panel fittings
- 4 Clip rail into rear panel fitting

Supplied with

- 2 Rails
- 2 Rear panel fittings
- 2 Front fixing brackets

Nominal length mm	White	White aluminium
270	558.48.701	558.48.201
300	558.48.702	558.48.202
350	558.48.703	558.48.203
400	558.48.704	558.48.204
450	558.48.705	558.48.205
500	558.48.706	558.48.206
550	558.48.707	558.48.207

Packing: 50 pieces